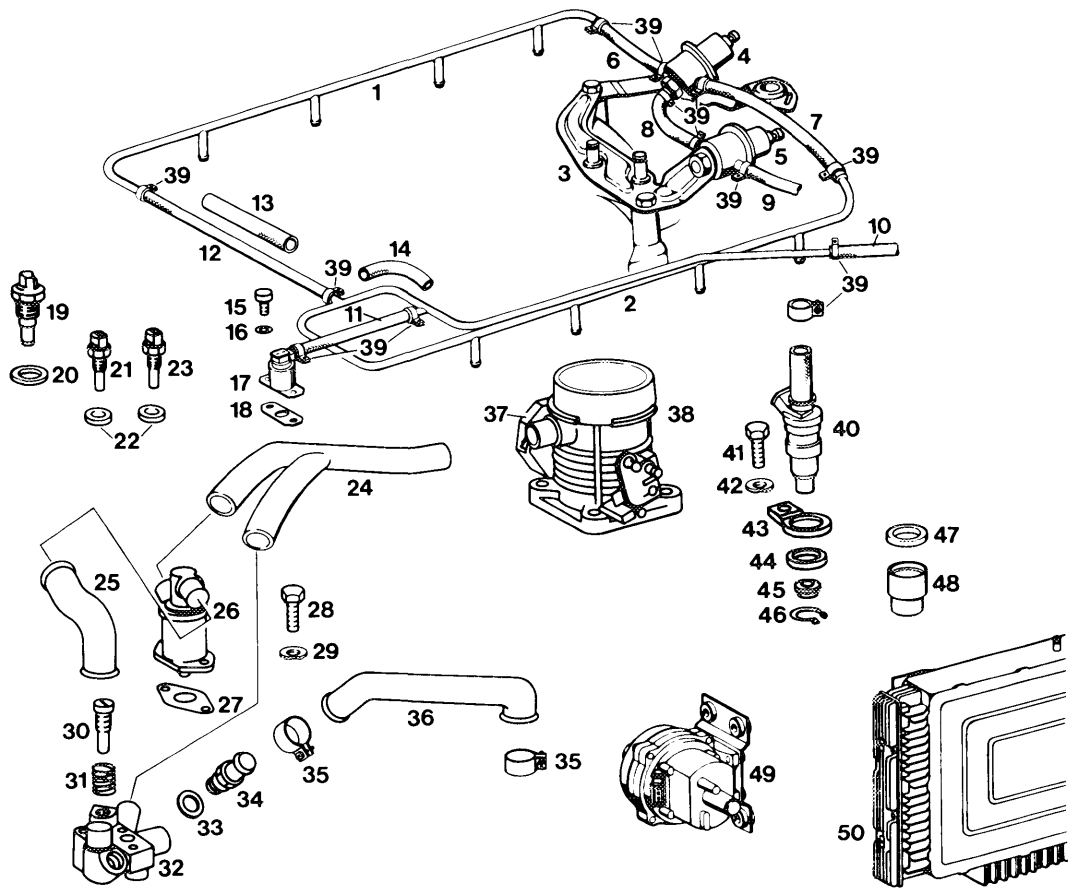


07.4-235 Illustrated table mixture preparation



1072-8166

- |                                    |                               |                                |
|------------------------------------|-------------------------------|--------------------------------|
| 1 Ring line right-hand engine side | 18 Gasket                     | 35 Hose clip                   |
| 2 Ring line left-hand engine side  | 19 Thermo-time switch         | 36 Contour hose                |
| 3 Holder                           | 20 Sealing ring               | 37 Throttle valve switch       |
| 4 Pressure regulator               | 21 Coolant temperature sensor | 38 Throttle valve housing      |
| 5 Diaphragm damper                 | 22 Sealing ring               | 39 Hose clip                   |
| 6 Fuel hose                        | 23 Air temperature sensor     | 40 Injection valve             |
| 7 Fuel hose                        | 24 Contour hose               | 41 Screw                       |
| 8 Fuel hose                        | 25 Contour hose               | 42 Corrugated washer           |
| 9 Fuel hose for return line        | 26 Supplementary air valve    | 43 Holder                      |
| 10 Fuel hose for feed line         | 27 Gasket                     | 44 Rubber ring                 |
| 11 Fuel hose                       | 28 Screw                      | 45 Rubber ring                 |
| 12 Fuel hose                       | 29 Corrugated washer          | 46 Fuse                        |
| 13 Protective hose                 | 30 Idle speed adjusting screw | 47 Rubber ring                 |
| 14 Protective hose                 | 31 Compression spring         | 48 Insulating sleeve           |
| 15 Screw                           | 32 Idle speed air distributor | 49 Intake pipe pressure sensor |
| 16 Corrugated washer               | 33 Sealing ring               | 50 Control unit                |
| 17 Cold starting valve             | 34 Connection                 |                                |